

7. Attach your water output apparatus to the fitting marked "Water Outlet". **Do not over tighten!** If installing in an existing water system, connect the hot water line directly to the ½" NPT fitting. Check to make sure the screen inside the water inlet is in place and clean.
8. Install two "D" cell batteries in the compartment on the bottom left of the heater. Check that batteries are facing the correct direction.
9. Use the top tab on the unit to suspend from a screw adequate to holding 30 pounds. Place at a comfortable height without putting stress on the gas hose. If the unit is to be permanently mounted, use screws to attach the bottom tab firmly.
10. Attach gas regulator with hose to the LP tank. Use hand pressure only on the plastic connector. LEAVE GAS TANK VALVE IN THE "OFF" POSITION"

Before going to the USE section:

Check around area for flammables, especially gasoline or other vapors which may ignite. The exhaust and top of the unit will get HOT! Make sure there are no foreign objects around the unit or have fallen into the top.

L-10 Liter Outdoor Tankless Water Heater



EccoTemp Systems, LLC

Volume 1, Issue 1

THE FUTURE OF EFFICIENCY

10 LITER OUTDOOR MOUNT LIQUID PROPANE WATER HEATER

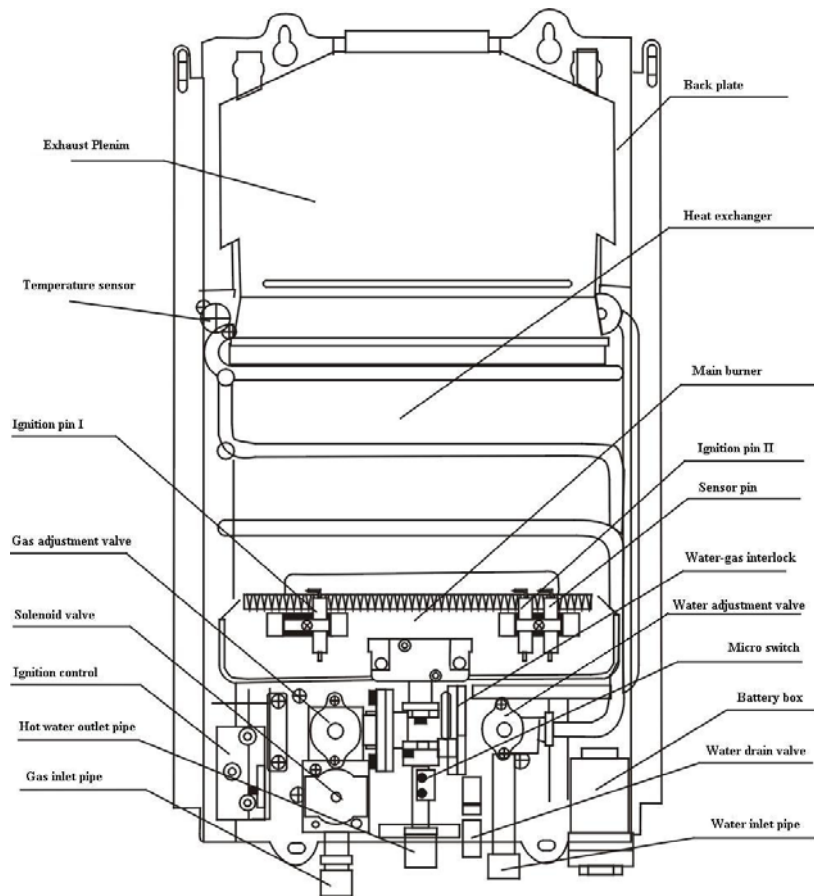
Table of Contents

The Purpose and Benefits of the L10	2
Functions and Features	3
Getting Started.....	5
Installation/Use.....	7
Adjustment.....	8
Troubleshooting.....	10
WARNINGS	12
Additional Products	14

Getting Started

1. Check box for damage. Damages caused in shipment must be reported immediately
2. Make sure you have all the parts:
 - a. Water heater
 - b. LP gas regulator and hose
 - c. Rain cap
 - d. ½” NPT to garden hose adapter
 - e. Hardware pack
3. Install the rain cap to the top of the flue vent. The rain cap should fit securely. It is recommended that a beaded layer of high temperature sealant is used around the perimeter of the seal between the rain cap and the flue vent
4. If using a standard garden hose, attach the ½” NPT to garden hose adapter to the fitting marked “Water Input”. Use “Teflon” tape or other approved sealing method on the threads for a secure, water tight fit
5. Attach your water input/garden hose
6. Install gas supply line and regulator to the unit. Use “Teflon” tape or other approved sealing method on the threads on the ½” fitting marked “gas input” (far left ½” connection). Ensure that the black rubber washer is present brass hose connection. Make sure it is screwed all the way on **but do not over tighten!**

Construction and Name of Parts for the L10 Flue Duct System



The Eccotemp L10 Liquid Propane water heater is for Outdoor Use ONLY!!!

Use only in areas where there is adequate ventilation. See additional information in the “Warnings” section of this manual.

This unit is not a toy. Read through this manual before operation.

The Purpose and Benefits the L-10

The EccoTemp L-10 is a liquid propane fired water heater capable of delivering 2 to 2.65 gallons of hot water almost anywhere. The unit has standard 1/2"NPT pipe fittings and an adapter for using a standard garden hose for inlet water supply.

The L-10 is not a toy. People around the world use similar units to heat the water in their homes, safely, and reliably.

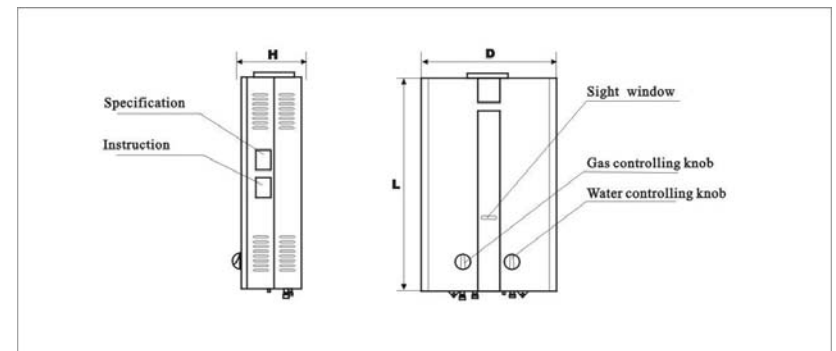
Gas is supplied from a standard 20 pound propane cylinder (not included) such as used with outdoor grills. A regulator with hose is furnished with the heater.

The unit includes a stainless steel rain cap that is to help venting of the flue gases as well as protect it for outdoor usage.

Ignition is automatic and powered by 2 "D" cell batteries (not included). Burners come on when water flows, and off when the water is shut off. No pilot light!

Functions and Features

- Water controlled automatic ignition: Water pressure between 30-80 PSI opens the ignition circuit for easy and convenient operation
- Auto-cut-off protection: The auto-cut-off protection will shut the gas supply off immediately in the event of flameout to reduce the risk of gas leakage. There is also a automatic shut-off timer after 17 minutes of continuous use
- Energy savings: EF of 85%
- Anti-freezing protection: Removable drain valve to avoid water pipe and regulator damage caused by freezing water
- Anti-dry combustion protection: The unit will shut off the gas supply in the event water stops flowing through the unit



Other Products:

L5: The L5 is the smaller sister unit of the L10. This top vented outdoor unit delivers up to 1.4 GPM and temperatures up to 150 degrees F. An ideal choice for portable hot water applications.



40-H: Outdoor mount LP or NG whole house water heater. Gama rated at 6.3 GPM, it is the ideal choice for a standard 3 bedroom, 2-2.5 bath home. Outdoor mount means no additional vent piping to purchase.



40-HI: Indoor mount LP or NG whole house water heater. The indoor version of the 40-H, it is an ideal choice for a standard 3 bedroom, 2-2.5 bath home. Indoor installation makes it a convenient choice for a retrofit on your old, inefficient storage tank heater.



Use and Starting

1. Turn on incoming water supply. Ensure that you have adequate water pressure of between 40-50PSI
2. Turn your water output device to its “off” position
3. Turn the gas valve on the cylinder all the way open
4. **IF THE SMELL OF GAS IS DETECTED, TURN OFF THE GAS VALVE IMMEDIATELY!!!!**
5. Set the water regulator knob on the face of the unit to its highest setting
6. Set the gas regulator knob on the face of the unit to its minimum setting
7. Turn on your water output device to the “on” position and adjust to the desired water flow
8. There will be a series of audible clicks and the burner will ignite. (Should the burner not ignite after 5 seconds, shut off and go to the “Trouble Shooting” section
9. Upon completion of use or storage, open the drain valve (ribbed cylindrical stem next to the water input valve) to ensure draining of water

ADJUSTMENT

The temperature of the outgoing water is dependent on the temperature of the incoming water balanced with the amount of heat applied. Use extreme caution in setting the outlet water temperature.

THERE IS A POTENTIAL SCALDING HAZARD!

1. With the water regulator set to high, and the gas regulator set to low, feel the outgoing water. This is the lowest setting available.
2. To initially raise the outgoing temperature, slowly turn the gas valve towards maximum. Adjust slowly and check the temperature often. There will be a slight delay between increasing the gas supply and the increase in water temperature.
3. Should the outlet water temperature need to be higher, slowly reduce the water flow regulator until desired temperature is reached.

***THE UNIT WILL PRODUCE TEMPERATURES CAPABLE OF SCALDING!!!!**

IMPORTANT SAFETY INFORMATION. READ ALL INSTRUCTIONS BEFORE USING.

Be sure to read and understand the entire Use and Care Manual before attempting to install or operate this water heater. It may save you time and money. Pay particular attention to the Safety Instructions. Failure to follow these warnings could result in serious bodily injury or death. Should you have problems understanding the instructions in this manual, or have any questions, STOP, and get help from a qualified service technician, or the local gas utility.



! DANGER!

INSTALL AND PROPERLY VENT THE WATER HEATER...


Failure to properly install the water heater outdoors as outlined in the Installation Instructions in this manual can result in unsafe operation of the water heater. To avoid the risk of fire, explosion, or asphyxiation from carbon monoxide, never operate this water heater unless it is installed properly and has an adequate air supply for proper operation. Be sure to inspect the flue terminal for proper installation at initial start-up; and at least annually thereafter. Refer to the Care and Cleaning section of this manual for more information regarding flue terminal inspection.



! WARNING!

Gasoline, as well as other flammable materials and liquids (adhesives, solvents, paint thinners etc.), and the vapors they produce are extremely dangerous. DO NOT handle, use or store gasoline or other flammable or combustible materials any where near or in the vicinity of a water heater or any other appliance. Be sure to read and follow the labels on the water heater, as well as the warnings printed in this manual. Failure to do so can result in property damage, bodily injury or death.

! DANGER



! Vapors from flammable liquids will explode and catch fire causing death or severe burns. Do not use or store flammable products such as gasoline, solvents or adhesives in the same room or area near the water heater.

Keep flammable products:

1. far away from heater,
2. in approved containers,
3. tightly closed and
4. out of children's reach.

Water heater has a main burner flame. The main burner flame:

1. which can come on at any time and
2. will ignite flammable vapors.

Vapors:

1. cannot be seen,
2. are heavier than air,
3. go a long way on the floor and
4. can be carried from other rooms to the main burner flame by air currents.

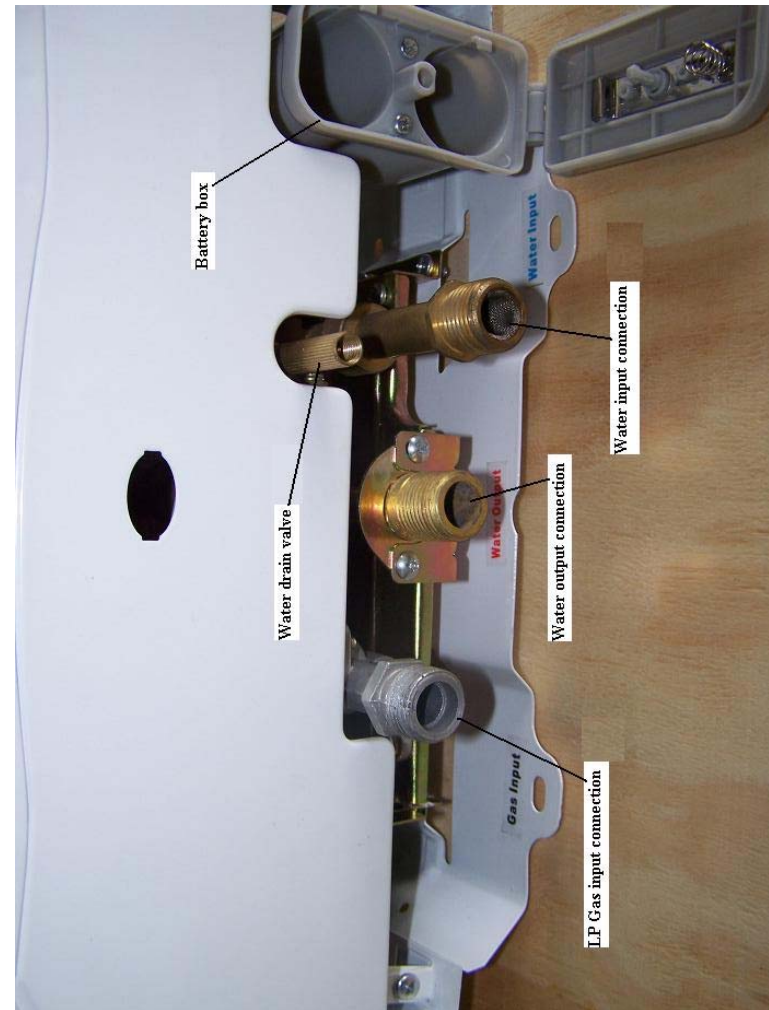
Installation:

Do not install water heater where flammable products will be stored or used unless the main burner flame is at least 18" above the floor. This will reduce, but not eliminate, the risk of vapors being ignited by the main burner flame.

Read and follow water heater warnings and instructions. If owners manual is missing, contact the retailer or manufacturer.

WARNINGS

1. The misuse of gas can cause deflagration or fire or carbon monoxide exposure. Prolonged exposure to carbon monoxide can cause serious illness or death
2. Do not leave unattended
3. The exhaust gas and top of the unit is HOT! Do not place hands or any foreign object near the top of the heater or on the rain cap
4. Do not use in high wind conditions
5. If the smell of gas is detected, turn off the gas valve at the tank immediately! Do not use flame for leak detection.
6. Use only Liquid Propane
7. Use only outdoors
8. Do not over tighten the gas regulator connection to the unit with a wrench. This may cause a crack in the gas regulator.



TROUBLE SHOOTING

SYSTEM DOES NOT LIGHT OR BRIEFLY STARTS AND GOES OUT

1. The unit requires a minimum of about 2 liters per minute and a minimum of about 30 PSI* Note, water pressure is at the lower end of operating parameters. You will need a sustained water pressure of approximately 40-60 PSI for adequate use
2. The valve on the propane tank should be all the way "Open"
3. Fresh batteries are required for ignition spark. Make sure batteries are aligned in the proper polarity (+/-)
- 4. NEVER TRY AND LIGHT WITH A MATCH OR LIGHTER**
5. Propane gas cylinders sometimes are contaminated with air, especially new tanks upon their first filling. Cycle the unit on and off by using the shower head switch several times (5) to purge the air from the gas
- 6. Should a unit fail to light or stay lit after 10 cycles, Call technical support at 866.356.1992**

WATER IS FLOWING, BUT THERE IS NO HOT WATER COMING OUT

1. Ensure that you have the incoming water supply and the outgoing water supply hooked up properly. Your water supply should be attached to your incoming connection (located on the far right) and the shower head should be attached to the outgoing water (located as the center connection)
2. Ensure that you have adequate water pressure of at least 40 PSI, sustained.
- 3.
4. Ensure that you have adequate gas in your propane bottle and that the LP regulator is threaded all of the way on to the unit.
5. Fresh batteries are required for ignition spark. Make sure batteries are aligned in the proper polarity (+/-)
6. If you are still having troubles or are on a modified water system, please call technical support at **866.356.1992**

THE UNIT DOES NOTHING

1. Ensure that you have your water source hooked up to the water inlet side (far right connection) and the shower handle is hooked up on the water outlet side (far left connection)
2. Ensure that you have an adequate supply of propane
3. Ensure that you have fresh batteries
4. If you are still having troubles or are on a modified water system, please call technical support at **866.356.1992**

**FOR QUESTIONS AND/OR
TECHNICAL SUPPORT,
PLEASE CALL ECCOTEMP
AT:**

866.356.1992 or 843.875.4255

OR VIA EMAIL AT:

info@eccotemp.com



- Visit us on the web www.eccotemp.com
- Call us (866) 356.1992
- Email us at info@eccotemp.com

**EccoTemp
Systems, LLC**

2745 West 5th North Street
Summerville, SC 29483

Phone (866) 356.1992

WWW.ECCOTEMP.COM